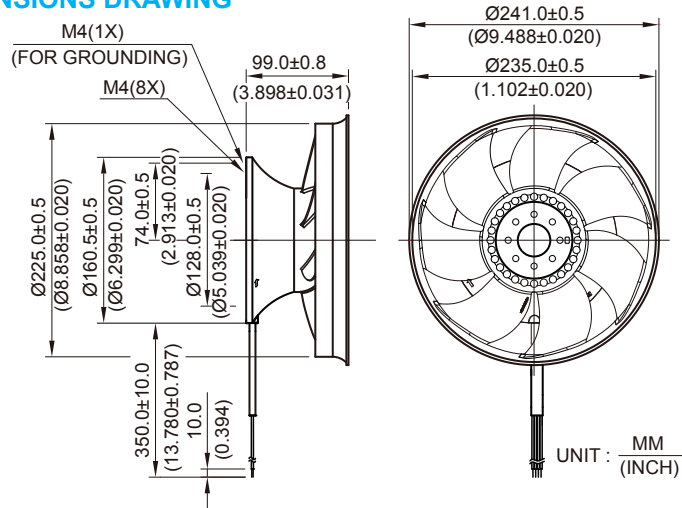


# TEA 225 x 99 MM SERIES

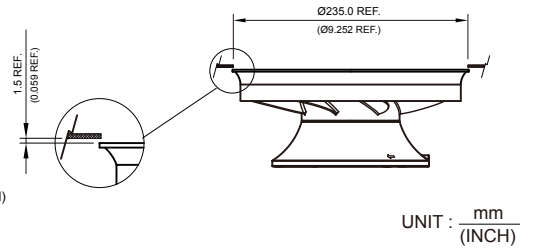
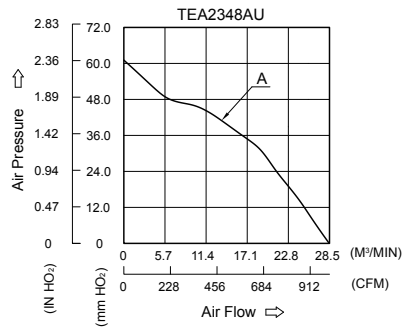
## ■ DIMENSIONS DRAWING



- \* Bearing Type  
Ball Bearings
- \* Material  
Impeller : Plastic (UL 94V-0)  
Frame : Die-cast Aluminum
- \* Lead Wires :  
UL 1430 AWG #20 OR Equivalent  
Red Wire Positive (+)  
Black Wire Negative (-)  
Blue Wire (F00)  
Yellow Wire (PWM)
- \* Weight : 1450g (51.2 oz)

## ■ P & Q CURVE (AT RATED VOLTAGE)

## ■ MOUNTING PANEL CUTOUT



MODEL		Rated Voltage	Operating Voltage Range	Rated Current	Rated Input Power	Speed	Maximum Air Flow		Maximum Air Pressure		Noise
PART NO.	FUNCTION	VDC	VDC	Amp	Watt	R.P.M.	m <sup>3</sup> /min	CFM	mmH <sub>2</sub> O	IN H <sub>2</sub> O	dB-A
TEA2348AU	PWM / F00	48	36.0 to 75.0	4.80	340.40	4700	28.389	1002.70	61.10	2.405	75.8

- \* The max. air flow and the speed are measured in free air ; max. air pressure is measured at zero air flow.
- \* Noise is measured in anechoic chamber in free air, one meter from intake side.
- \* All readings are typical values at rated voltage.
- \* Specifications are subject to change without notice.