

DC Axial-Flow Fan

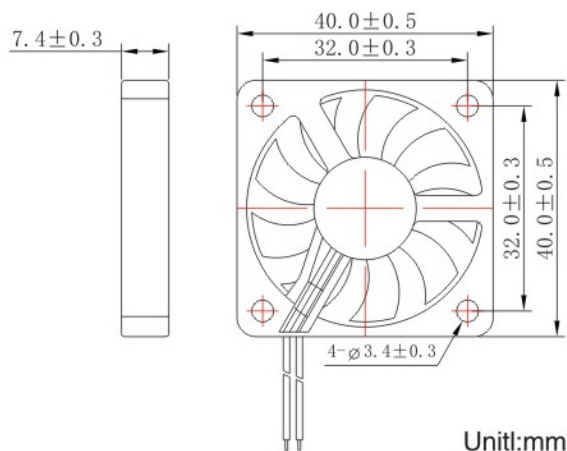


40×40×07mm

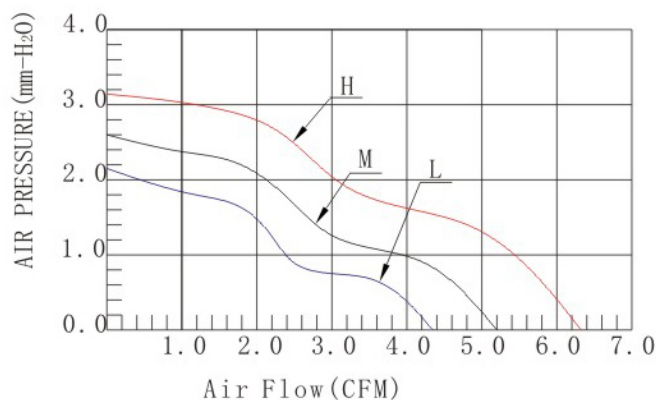
★ General Specification(一般规格)

- ☆ Material: Frame And Impeller: Thermal Plastic UL 94V-0
- ☆ Lead Wires: UL Type
RED Wire Positive(+)
BLACK Wire Negative(-)
- ☆ Insulation Resistance: 10MΩ Or Over With a DC250V Megger
- ☆ Dielectric Withstand Voltage: AC500V 1S
- ☆ Allowable Ambient Temperature Range:
-10°C ~ +70°C (Operation)
-40°C ~ +70°C (Storage)

★ Dimensions Drawing(外观图)



★ Characteristic Curves(特性曲线)



★ Specifications(规格)

Model (型号)	Bearing System (培林)	Rated Voltage (V) (电压)	Operation Voltage (V) (电压范围)	Current (A) (电流)	Input power (W) (功率)	Speed (RPM) (转速)	Air Flow (CFM) (风量)	Static Pressure (mm-H ₂ O) (静压)	Noise Level (dB-A) (噪音)	Weight (g) (重量)
YD054007HS	Sleeve	5	4.5~5.5	0.26	1.3	7000	6.07	3.03	31.59	8.5
YD054007MS				0.20	1.0	6000	5.20	2.60	27.08	8.5
YD054007LS				0.12	0.6	5000	4.34	2.17	22.57	8.5
YD124007HS	Sleeve	12	10.8 ~ 13.2	0.13	1.56	7000	6.07	3.03	31.59	8.5
YD124007MS				0.10	1.2	6000	5.20	2.60	27.08	8.5
YD124007LS				0.07	0.84	5000	4.34	2.17	22.57	8.5