

AC Axial-Flow Fan



120×120×38mm

★ General Specification(金属框叶)

☆ Material:

Lmpeller: Thermal Plastic UL 94V-0

Frame: Aluminium Alloy

☆ Lead Wires: UL Type

☆ Motor Protection: Lmpedance Protected

☆ Insulation Resistance: 10MΩ Or Over With a DC500V Megger

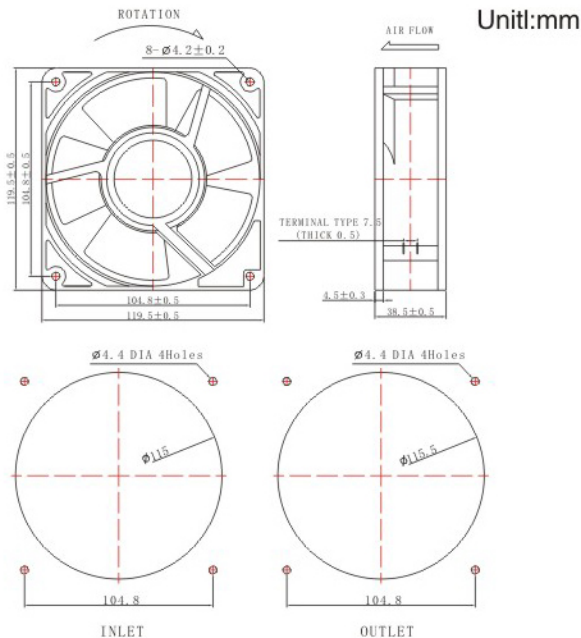
☆ Dielectric Strength: AC1500V 0.5mA 1S

☆ Allowable Ambient Temperature Range:

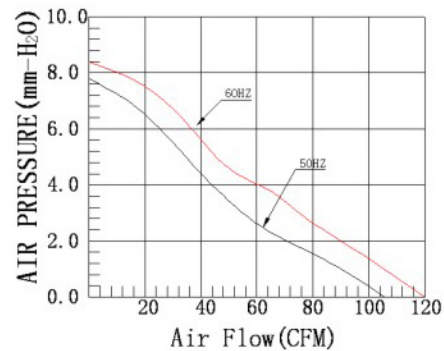
-10℃ ~ +105℃(Operation)

-30℃ ~ +85℃(Storage)

★ Dimensions Drawing(外观图)



★ Characteristic Curves(特性曲线)



Model (型号)	Bearing System (培林)	Rated Voltage (V) (电压)	Freq. (Hz) (频率)	Current (A) (电流)	Input power (W) (功率)	Speed (RPM) (转速)	Air Flow (CFM) (风量)	Static Pressure (mm-H ₂ O) (静压)	Noise Level (dB-A) (噪音)	Weight (g) (重量)
YA11238HSL	Sleeve	110	50/60	0.25	24	2600/3000	106/120	7.40/8.89	47/49	550
YA11238HBL	Ball	110	50/60	0.25	24	2600/3000	106/120	7.40/8.89	47/49	550
YA21238HSL	Sleeve	220	50/60	0.14	22	2600/3000	106/120	7.40/8.89	47/49	550
YA21238HBL	Ball	220	50/60	0.14	22	2600/3000	106/120	7.40/8.89	47/49	550
YA11238MSL	Sleeve	110	50/60	0.23	22	2000/2200	79/87	5.0/6.8	40/44	550
YA11238MBL	Ball	110	50/60	0.23	22	2000/2200	79/87	5.0/6.8	40/44	550
YA21238MSL	Sleeve	220	50/60	0.13	20	2000/2200	79/87	5.0/6.8	40/44	550
YA21238MBL	Ball	220	50/60	0.13	20	2000/2200	79/87	5.0/6.8	40/44	550