



200×200×60mm

AC Axial-Flow Fan

★ General Specification(一般规格)

☆ Material:

Lmpeller:Thermal Plastic UL 94V-0

Frame:Aluminium Alloy

☆ Lead Wires:UL Type

☆ Motor Protection:Lmpedance Protected

☆ Insulation Resistance:10MΩ Or Over With a
DC500V Megger

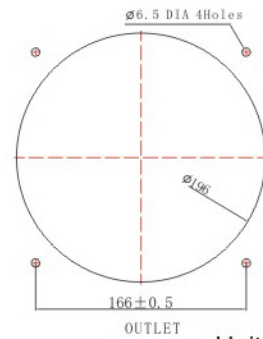
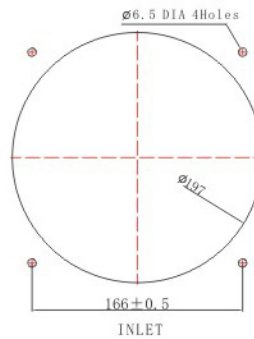
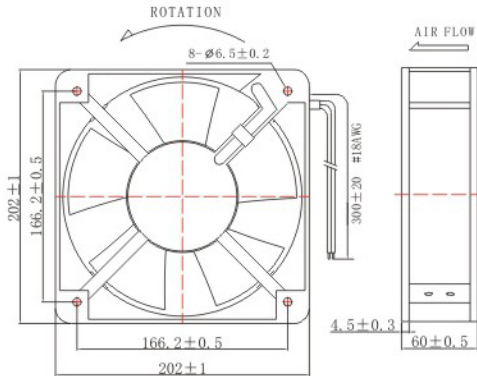
☆ Dielectric Strength:AC1500V 0.5mA 1S

☆ Allowable Ambient Temperature Range:

-10℃ ~ +70℃(Operation)

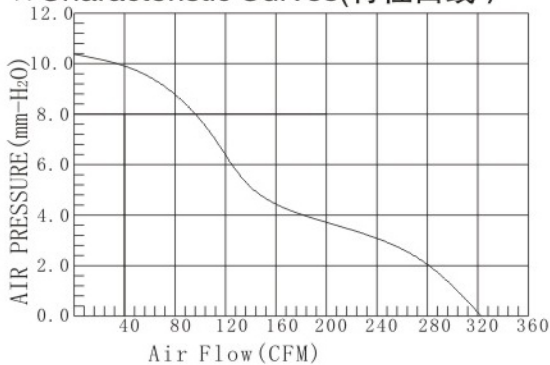
-30℃ ~ +85℃(Storage)

★ Dimensions Drawing(外观图)



Unit:mm

★ Characteristic Curves(特性曲线)



★ Specifications(规格)

Model (型号)	Bearing System (培林)	Rated Voltage (V) (电压)	Freq. (Hz) (频率)	Current (A) (电流)	Input power (W) (功率)	Speed (RPM) (转速)	Air Flow (CFM) (风量)	Static Pressure (mm-H ₂ O) (静压)	Noise Level (dB-A) (噪音)	Weight (g) (重量)
YA120060HBL	Ball	110	60	0.69	56	2500	325	10.40	59	1700
YA220060HBL	Ball	220	50	0.30	48	2500	325	10.40	59	1700
YA320060HBL	Ball	380	50	0.16	45	2500	325	10.40	59	1700