



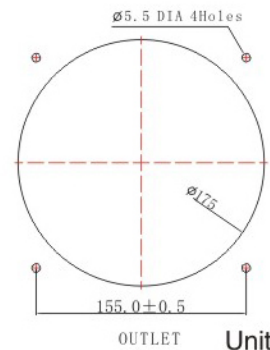
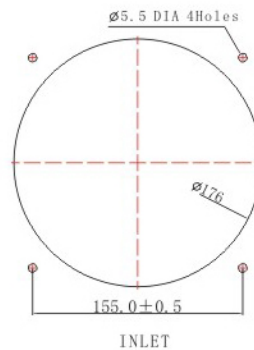
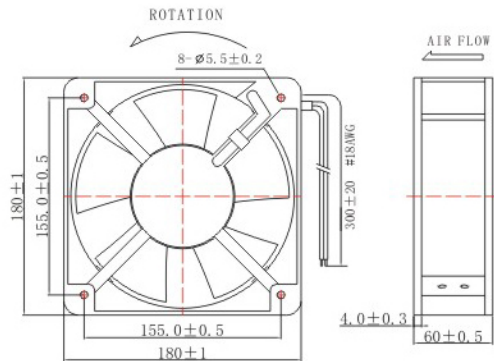
180×180×60mm

AC Axial-Flow Fan

★ General Specification(一般规格)

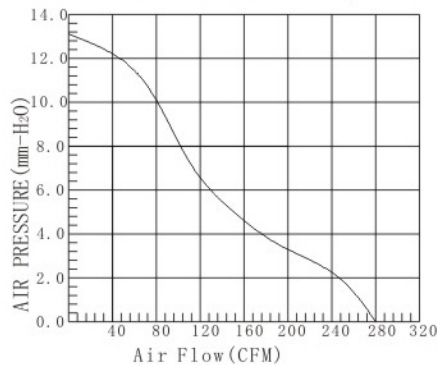
- ☆ Material: Impeller: Thermal Plastic UL 94V-0
Frame: Aluminium Alloy
- ☆ Lead Wires: UL Type
- ☆ Motor Protection: Impedance Protected
- ☆ Insulation Resistance: 10MΩ Or Over With a DC500V Megger
- ☆ Dielectric Strength: AC1500V 0.5mA 1S
- ☆ Allowable Ambient Temperature Range:
-10℃ ~ +70℃(Operation)
-30℃ ~ +85℃(Storage)

★ Dimensions Drawing(外观图)



Unit:mm

★ Characteristic Curves(特性曲线)



★ Specifications(规格)

Model (型号)	Bearing System (培林)	Rated Voltage (V) (电压)	Freq. (Hz) (频率)	Current (A) (电流)	Input power (W) (功率)	Speed (RPM) (转速)	Air Flow (CFM) (风量)	Static Pressure (mm-H ₂ O) (静压)	Noise Level (dB-A) (噪音)	Weight (g) (重量)
YA118060HBL	Ball	110	60	0.69	56	2600	280	13.18	59	1600
YA218060HBL	Ball	220	50	0.30	45	2600	280	13.18	59	1600
YA318060HBL	Ball	380	50	0.16	42	2550	275	13.10	59	1600