



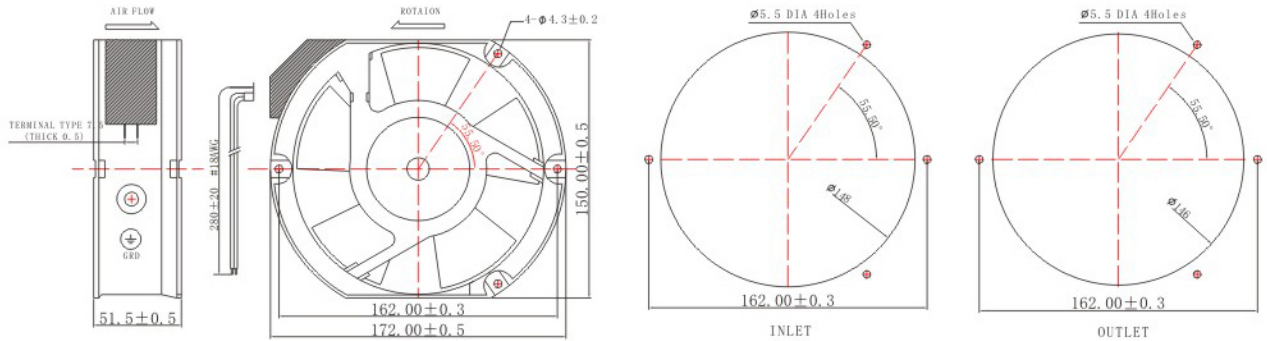
172×150×51mm

# AC Axial-Flow Fan

## ★ General Specification(一般规格)

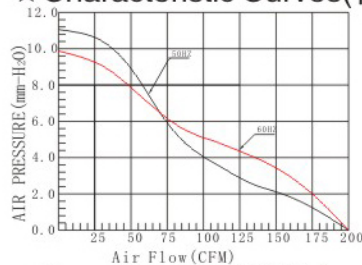
- ☆ Material: Impeller: Thermal Plastic UL 94V-0  
Frame: Aluminium Alloy
- ☆ Lead Wires: UL Type
- ☆ Motor Protection: Impedance Protected
- ☆ Insulation Resistance: 10MΩ Or Over With a DC500V Megger
- ☆ Dielectric Strength: AC1500V 0.5mA 1S
- ☆ Allowable Ambient Temperature Range:  
-10°C ~ +70°C(Operation)  
-30°C ~ +85°C(Storage)

## ★ Dimensions Drawing(外观图)



Unit:mm

## ★ Characteristic Curves(特性曲线)



## ★ Specifications(规格)

Model (型号)	Bearing System (培林)	Rated Voltage (V) (电压)	Freq. (Hz) (频率)	Current (A) (电流)	Input power (W) (功率)	Speed (RPM) (转速)	Air Flow (CFM) (风量)	Static Pressure (mm-H <sub>2</sub> O) (静压)	Noise Level (dB-A) (噪音)	Weight (g) (重量)
YA117251HSL	Sleeve	110	50/60	0.63/0.53	42/37	2500/2800	185/220	11.1/9.6	51/56	920
YA117251HBL	Ball	110	50/60	0.63/0.53	42/37	2600/2950	200/225	11.5/9.8	52/56	920
YA217251HSL	Sleeve	220	50/60	0.25/0.22	36/34	2500/2500	185/185	11.1/9.0	51/51	920
YA217251HBL	Ball	220	50/60	0.25/0.22	36/34	2600/2600	200/200	11.5/9.3	52/52	920
YA317251HSL	Sleeve	380	50/60	0.14/0.13	34/33	2600/2550	200/190	11.5/9.2	52/51	920
YA317251HBL	Ball	380	50/60	0.14/0.13	34/33	2600/2550	200/190	11.5/9.2	52/51	920