



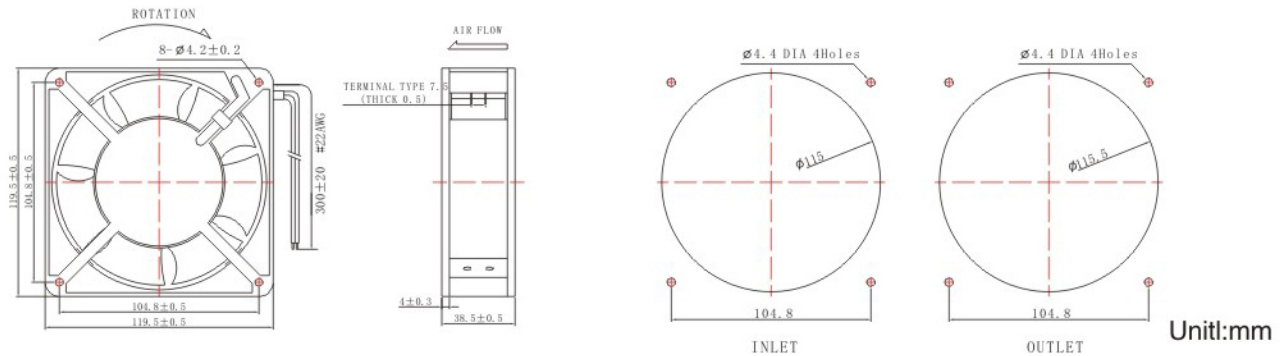
120×120×38mm

AC Axial-Flow Fan

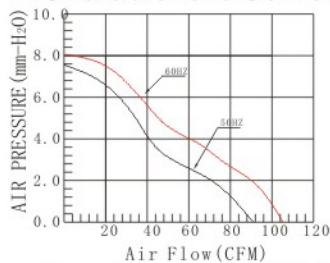
★ General Specification(一般规格)

- ☆ Material: Lmpeller:Thermal Plastic UL 94V-0
Frame:Aluminium Alloy
- ☆ Lead Wires:UL Type
- ☆ Motor Protection:Lmpedance Protected
- ☆ Insulation Resistance:10MΩ Or Over With a
DC500V Megger
- ☆ Dielectric Strength:AC1500V 0.5mA 1S
- ☆ Allowable Ambient Temperature Range:
-10℃ ~ +70℃(Operation)
-30℃ ~ +85℃(Storage)

★ Dimensions Drawing(外观图)



★ Characteristic Curves(特性曲线)



★ Specifications(规格)

Model (型号)	Bearing System (培林)	Rated Voltage (V) (电压)	Freq. (Hz) (频率)	Current (A) (电流)	Input power (W) (功率)	Speed (RPM) (转速)	Air Flow (CFM) (风量)	Static Pressure (mm-H ₂ O) (静压)	Niose Level (dB-A) (噪音)	Weight (g) (重量)
YA11238HSL	Sleeve	110	50/60	0.24/0.20	17.0/14.0	2400/2650	90/102	7.40/8.06	40/45	480
YA11238HBL	Ball	110	50/60	0.24/0.20	17.0/14.0	2500/2700	92/105	7.49/8.13	40/45	480
YA21238HSL	Sleeve	220	50/60	0.12/0.10	17.0/15.0	2400/2650	90/102	7.40/8.06	40/45	480
YA21238HBL	Ball	220	50/60	0.12/0.10	17.0/15.0	2500/2700	92/105	7.49/8.13	40/45	480
YA31238HSL	Sleeve	380	50/60	0.07/0.06	17.0/14.0	2400/2650	88/102	7.36/8.06	40/45	480
YA31238HBL	Ball	380	50/60	0.07/0.06	17.0/14.0	2500/2700	90/103	7.40/8.08	40/45	480