

# DC Axial-Flow Fan

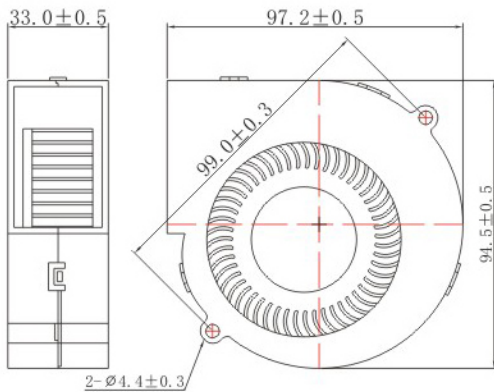


97×94×33mm

## ★ General Specification(一般规格)

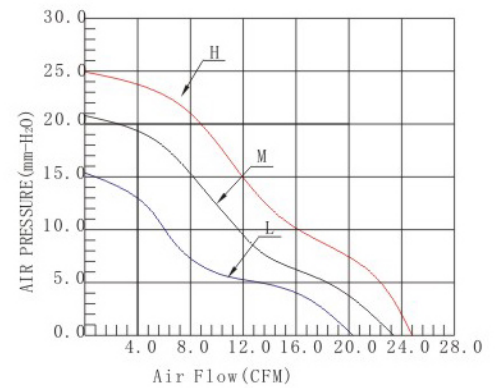
- ☆ Material: Frame And Impeller: Thermal Plastic UL 94V-0
- ☆ Lead Wires: UL Type
  - RED Wire Positive(+)
  - BLACK Wire Negative(-)
- ☆ Insulation Resistance: 10MΩ Or Over With a DC250V Megger
- ☆ Dielectric Withstand Voltage: AC500V 1S
- ☆ Allowable Ambient Temperature Range:
  - 10°C ~ +70°C (Operation)
  - 40°C ~ +70°C (Storage)

## ★ Dimensions Drawing(外观图)



Unit: mm

## ★ Characteristic Curves(特性曲线)



## ★ Specifications(规格)

Model (型号)	Bearing System (培林)	Rated Voltage (V) (电压)	Operation Voltage (V) (电压范围)	Current (A) (电流)	Input power (W) (功率)	Speed (RPM) (转速)	Air Flow (CFM) (风量)	Static Pressure (mm-H <sub>2</sub> O) (静压)	Noise Level (dB-A) (噪音)	Weight (g) (重量)
YB129733HS	Sleeve	12	10.8~13.2	1.00	12.00	3200	24.90	23.06	48.83	146
YB129733MS				0.60	7.20	3000	23.10	20.86	43.67	146
YB129733LS				0.50	6.00	2600	20.10	15.03	34.34	146
YB129733HB	Ball			1.00	12.00	3200	24.90	23.06	48.83	146
YB129733MB				0.60	7.20	3000	23.10	20.86	43.67	146
YB129733LB				0.50	6.00	2600	20.10	15.03	34.34	146
YB249733HS	Sleeve	24	21.6~26.4	0.60	14.4	3200	24.90	23.06	48.83	146
YB249733MS				0.40	9.60	3000	23.10	20.86	43.67	146
YB249733LS				0.30	7.20	2600	20.10	15.03	34.34	146
YB249733HB	Ball			0.60	14.4	3200	24.90	23.06	48.83	146
Yb249733MB				0.40	9.60	3000	23.10	20.86	43.67	146
YB249733LB				0.30	7.20	2600	20.10	15.03	34.34	146