



172×150×51mm

DC Axial-Flow Fan

★ General Specification(一般规格)

☆ Material: Frame And Impeller: Thermal Plastic UL 94V-0

☆ Lead Wires: UL Type

RED Wire Positive(+)

BLACK Wire Negative(-)

☆ Insulation Resistance: 10MΩ Or Over With a DC250V Megger

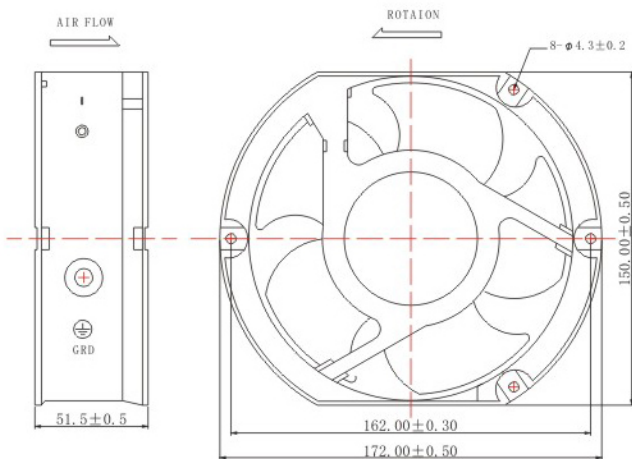
☆ Dielectric Withstand Voltage: AC500V 1S

☆ Allowable Ambient Temperature Range:

-10°C~+70°C(Operation)

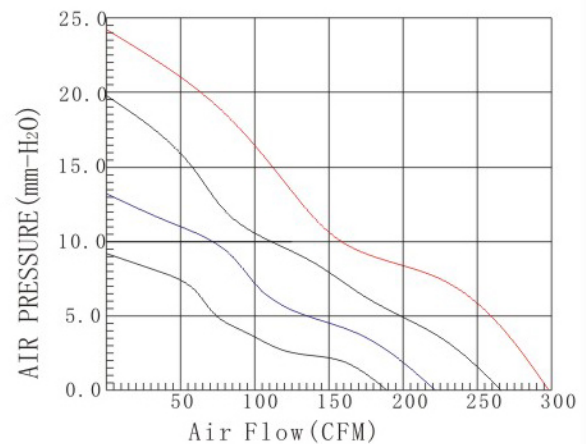
-40°C~+70°C(Storage)

★ Dimensions Drawing(外观图)



Unit:mm

★ Characteristic Curves(特性曲线)



★ Specifications(规格)

Model (型号)	Bearing System (培林)	Rated Voltage (V) (电压)	Operation Voltage (V) (电压范围)	Current (A) (电流)	Input power (W) (功率)	Speed (RPM) (转速)	Air Flow (CFM) (风量)	Static Pressure (mm-H ₂ O) (静压)	Noise Level (dB-A) (噪音)	Weight (g) (重量)
YD2417251HB	Ball	24	21.6~26.4	1.00	24.0	3600	266.00	19.48	67.00	760
YD2417251MB				0.60	14.4	3000	222.00	13.54	55.80	760
YD2417251LB				0.40	9.6	2500	185.00	9.40	46.50	760
YD4817251HB	Ball	48	43.2~52.8	0.60	28.8	3600	266.00	19.48	67.00	760
YD4817251MB				0.35	16.8	3000	222.00	13.54	55.80	760
YD4817251LB				0.25	12.0	2500	185.00	9.40	46.50	760