

# DC Axial-Flow Fan

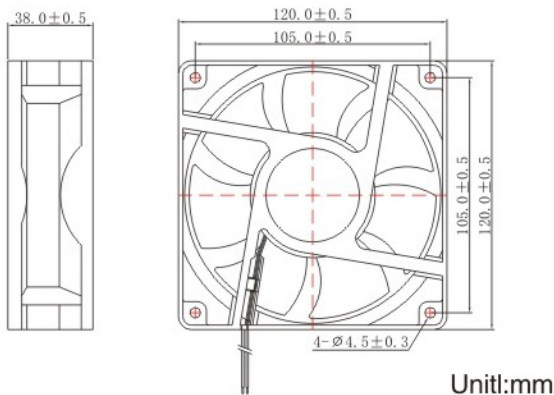


120×120×38mm

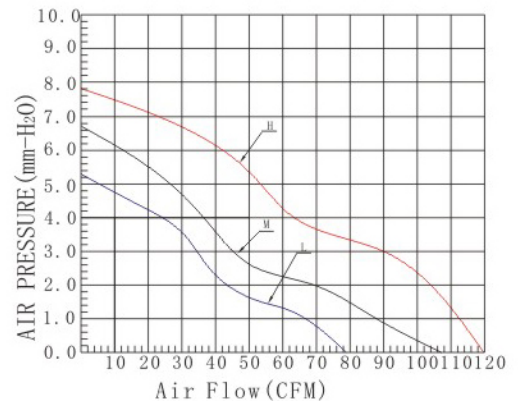
## ★ General Specification(一般规格)

- ☆ Material: Frame And Impeller: Thermal Plastic UL 94V-0
- ☆ Lead Wires: UL Type
  - RED Wire Positive(+)
  - BLACK Wire Negative(-)
- ☆ Insulation Resistance: 10MΩ Or Over With a DC250V Megger
- ☆ Dielectric Withstand Voltage: AC500V 1S
- ☆ Allowable Ambient Temperature Range:
  - 10℃ ~ +70℃ (Operation)
  - 40℃ ~ +70℃ (Storage)

## ★ Dimensions Drawing(外观图)



## ★ Characteristic Curves(特性曲线)



## ★ Specifications(规格)

Model (型号)	Bearing System (培林)	Rated Voltage (V) (电压)	Operation Voltage (V) (电压范围)	Current (A) (电流)	Input power (W) (功率)	Speed (RPM) (转速)	Air Flow (CFM) (风量)	Static Pressure (mm-H <sub>2</sub> O) (静压)	Noise Level (dB-A) (噪音)	Weight (g) (重量)
YD121238HS	Sleeve	12	10.8~13.2	0.60	7.20	3000	119.49	7.81	44.47	265
YD121238MS				0.45	5.40	2700	107.54	6.66	41.51	265
YD121238LS				0.30	3.60	2400	79.66	5.26	39.98	265
YD121238HB	Ball			0.60	7.20	3000	119.49	7.81	44.47	265
YD121238MB				0.45	5.40	2700	107.54	6.66	41.51	265
YD121238LB				0.30	3.60	2400	79.66	5.26	39.98	265
YD241238HS	Sleeve	24	21.6~26.4	0.40	9.60	3000	119.49	7.81	44.47	265
YD241238MS				0.30	7.20	2700	107.54	6.66	41.51	265
YD241238LS				0.20	4.80	2400	79.66	5.26	39.98	265
YD241238HB	Ball			0.40	9.60	3000	119.49	7.81	44.47	265
YD241238MB				0.30	7.20	2700	107.54	6.66	41.51	265
YD241238LB				0.20	4.80	2400	79.66	5.26	39.98	265