



25×25×07mm

# DC Axial-Flow Fan

## ★ General Specification(一般规格)

☆ Material: Frame And Impeller: Thermal Plastic UL 94V-0

☆ Lead Wires: UL Type

RED Wire Positive(+)

BLACK Wire Negative(-)

☆ Insulation Resistance: 10MΩ Or Over With a DC250V Megger

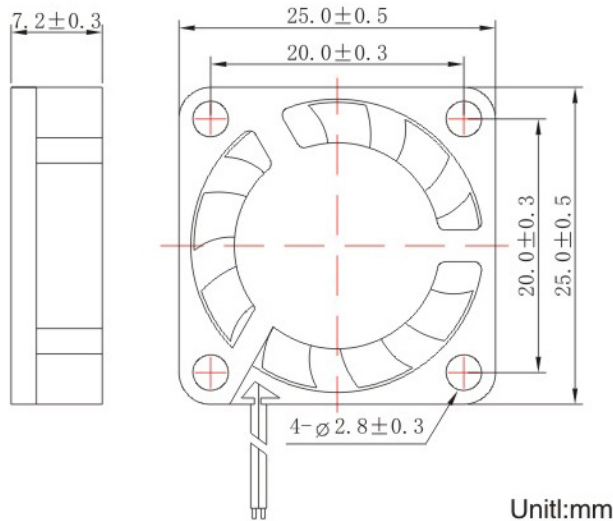
☆ Dielectric Withstand Voltage: AC500V 1S

☆ Allowable Ambient Temperature Range:

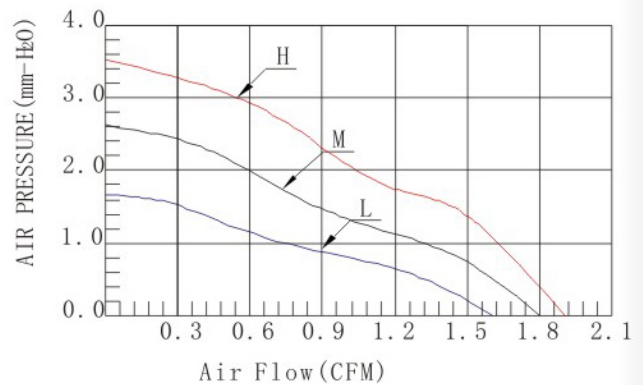
-10°C ~ +70°C(Operation)

-40°C ~ +70°C(Storage)

## ★ Dimensions Drawing(外观图)



## ★ Characteristic Curves(特性曲线)



## ★ Specifications(规格)

Model (型号)	Bearing System (培林)	Rated Voltage (V) (电压)	Operation Voltage (V) (电压范围)	Current (A) (电流)	Input power (W) (功率)	Speed (RPM) (转速)	Air Flow (CFM) (风量)	Static Pressure (mm-H <sub>2</sub> O) (静压)	Noise Level (dB-A) (噪音)	Weight (g) (重量)
YD052507HS	Sleeve	5	4.5~5.5	0.20	1.00	10000	1.92	3.55	22.50	6
YD052507MS				0.16	0.80	9000	1.80	2.64	20.58	6
YD052507LS				0.12	0.60	8000	1.60	1.58	20.18	6
YD122507HS	Sleeve	12	10.8 ~ 13.2	0.15	1.80	10000	1.92	3.55	22.50	6
YD122507MS				0.12	1.44	9000	1.80	2.64	20.58	6
YD122507LS				0.09	10.8	8000	1.60	1.58	20.18	6