

DC Axial-Flow Fan

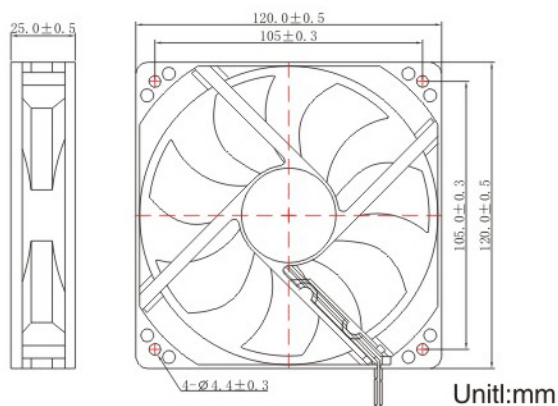


120×120×25mm

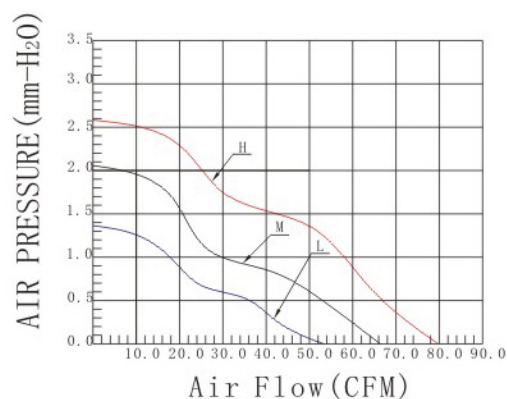
★ General Specification(一般规格)

- ☆ Material: Frame And Impeller: Thermal Plastic UL 94V-0
- ☆ Lead Wires: UL Type
 - RED Wire Positive(+)
 - BLACK Wire Negative(-)
- ☆ Insulation Resistance: 10MΩ Or Over With a DC250V Megger
- ☆ Dielectric Withstand Voltage: AC500V 1S
- ☆ Allowable Ambient Temperature Range:
 - 10°C ~ +70°C(Operation)
 - 40°C ~ +70°C(Storage)

★ Dimensions Drawing(外观图)



★ Characteristic Curves(特性曲线)



★ Specifications(规格)

Model (型号)	Bearing System (培林)	Rated Voltage (V) (电压)	Operation Voltage (V) (电压范围)	Current (A) (电流)	Input power (W) (功率)	Speed (RPM) (转速)	Air Flow (CFM) (风量)	Static Pressure (mm-H ₂ O) (静压)	Noise Level (dB-A) (噪音)	Weight (g) (重量)
YD121225HS	Sleeve	12	10.8~13.2	0.30	3.60	2000	79.75	2.57	32.48	148
YD121225MS				0.25	3.00	1700	66.05	2.01	28.00	148
YD121225LS				0.20	2.40	1400	52.58	1.37	24.43	148
YD121225HB	Ball			0.30	2.41	2000	79.75	2.57	32.48	148
YD121225MB				0.25	2.42	1700	66.05	2.01	28.00	148
YD121225LB				0.20	2.43	1400	52.58	1.37	24.43	148
YD241225HS	Sleeve	24	21.6~26.4	0.23	5.52	2000	79.75	2.57	32.48	148
YD241225MS				0.18	4.32	1700	66.05	2.01	28.00	148
YD241225LS				0.13	3.12	1400	52.58	1.37	24.43	148
YD241225HB	Ball			0.23	5.52	2000	79.75	2.57	32.48	148
YD241225MB				0.18	4.32	1700	66.05	2.01	28.00	148
YD241225LB				0.13	3.12	1400	52.58	1.37	24.43	148