

# DC Axial-Flow Fan

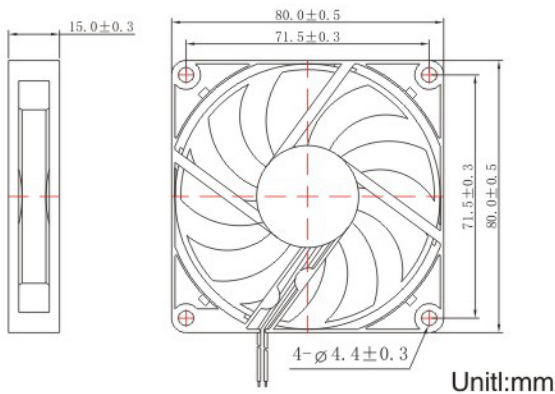


80×80×15mm

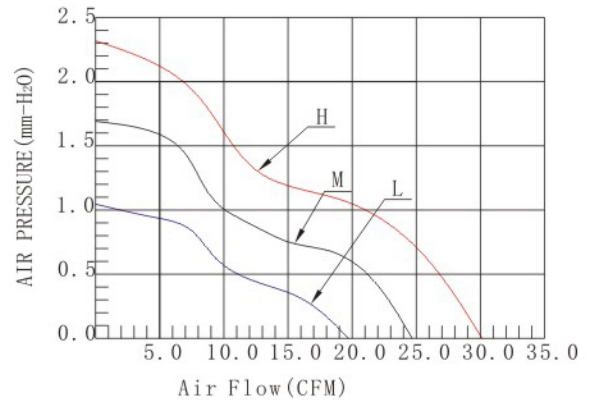
## ★ General Specification(一般规格)

- ☆ Material: Frame And Impeller: Thermal Plastic UL 94V-0
- ☆ Lead Wires: UL Type  
RED Wire Positive(+)  
BLACK Wire Negative(-)
- ☆ Insulation Resistance: 10MΩ Or Over With a DC250V Megger
- ☆ Dielectric Withstand Voltage: AC500V 1S
- ☆ Allowable Ambient Temperature Range:  
-10°C ~ +70°C (Operation)  
-40°C ~ +70°C (Storage)

## ★ Dimensions Drawing(外观图)



## ★ Characteristic Curves(特性曲线)



## ★ Specifications(规格)

| Model<br>(型号) | Bearing System<br>(培林) | Rated Voltage (V)<br>(电压) | Operation Voltage (V)<br>(电压范围) | Current (A)<br>(电流) | Input power (W)<br>(功率) | Speed (RPM)<br>(转速) | Air Flow (CFM)<br>(风量) | Static Pressure (mm-H <sub>2</sub> O)<br>(静压) | Noise Level (dB-A)<br>(噪音) | Weight (g)<br>(重量) |
|---------------|------------------------|---------------------------|---------------------------------|---------------------|-------------------------|---------------------|------------------------|---|----------------------------|--------------------|
| YD128015HS    | Sleeve                 | 12                        | 10.8~13.2                       | 0.17                | 2.04                    | 3000                | 30.16                  | 2.38  | 2.38                       | 57                 |
| YD128015MS    |                        |                           |                                 | 0.12                | 1.44                    | 2500                | 24.89                  | 1.69  | 1.69                       | 57                 |
| YD128015LS    |                        |                           |                                 | 0.08                | 0.96                    | 2000                | 18.99                  | 1.03  | 1.03                       | 57                 |
| YD158015HB    | Ball                   |                           |                                 | 0.17                | 2.04                    | 3000                | 30.16                  | 2.38  | 2.38                       | 57                 |
| YD128015MB    |                        |                           |                                 | 0.12                | 1.44                    | 2500                | 24.89                  | 1.69  | 1.69                       | 57                 |
| YD128015LB    |                        |                           |                                 | 0.08                | 0.96                    | 2000                | 18.99                  | 1.03  | 1.03                       | 57                 |
| YD248015HS    | Sleeve                 | 24                        | 21.6~26.4                       | 0.11                | 2.64                    | 3000                | 30.16                  | 2.38  | 2.38                       | 57                 |
| YD248015MS    |                        |                           |                                 | 0.08                | 1.92                    | 2500                | 24.89                  | 1.69  | 1.69                       | 57                 |
| YD248015LS    |                        |                           |                                 | 0.05                | 1.20                    | 2000                | 18.99                  | 1.03  | 1.03                       | 57                 |
| YD248015HB    | Ball                   |                           |                                 | 0.11                | 2.64                    | 3000                | 30.16                  | 2.38  | 2.38                       | 57                 |
| YD248015MB    |                        |                           |                                 | 0.08                | 1.92                    | 2500                | 24.89                  | 1.69  | 1.69                       | 57                 |
| YD248015LB    |                        |                           |                                 | 0.05                | 1.20                    | 2000                | 18.99                  | 1.03  | 1.03                       | 57                 |