

# DC Axial-Flow Fan



45×45×10mm

## ★ General Specification(一般规格)

☆ Material: Frame And Impeller: Thermal Plastic UL 94V-0

☆ Lead Wires: UL Type

RED Wire Positive(+)

BLACK Wire Negative(-)

☆ Insulation Resistance: 10MΩ Or Over With a DC250V Megger

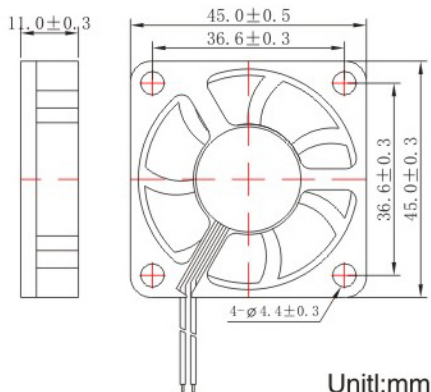
☆ Dielectric Withstand Voltage: AC500V 1S

☆ Allowable Ambient Temperature Range:

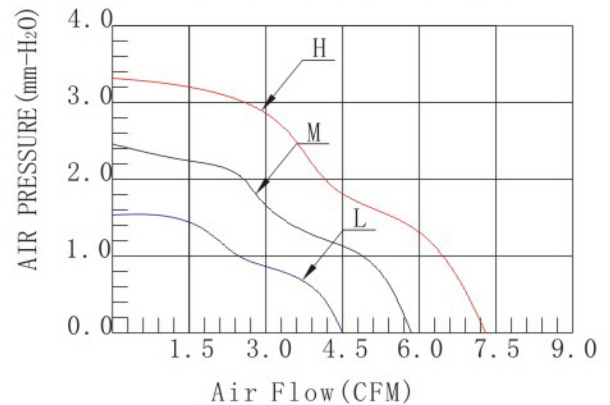
-10°C ~ +70°C (Operation)

-40°C ~ +70°C (Storage)

## ★ Dimensions Drawing(外观图)



## ★ Characteristic Curves(特性曲线)



## ★ Specifications(规格)

Model (型号)	Bearing System (培林)	Rated Voltage (V) (电压)	Operation Voltage (V) (电压范围)	Current (A) (电流)	Input power (W) (功率)	Speed (RPM) (转速)	Air Flow (CFM) (风量)	Static Pressure (mm-H <sub>2</sub> O) (静压)	Noise Level (dB-A) (噪音)	Weight (g) (重量)
YD054510HS	Sleeve	5	4.5~5.5	0.20	1.00	6000	7.22	3.38	31.86	15
YD054510MS				0.16	0.80	5000	5.83	2.42	27.29	15
YD054510LS				0.12	0.60	4000	4.50	1.57	22.06	15
YD054510HB	Ball			0.20	1.00	6000	7.22	3.38	31.86	15
YD054510MB				0.16	0.80	5000	5.83	2.42	27.29	15
YD054510LB				0.12	0.60	4000	4.50	1.57	22.06	15
YD124510HS	Sleeve	12	10.8~13.2	0.12	1.44	6000	7.22	3.38	31.86	15
YD124510MS				0.10	1.20	5000	5.83	2.42	27.29	15
YD124510LS				0.08	0.96	4000	4.50	1.57	22.06	15
YD124510HB	Ball			0.12	1.44	6000	7.22	3.38	31.86	15
YD124510MB				0.10	1.20	5000	5.83	2.42	27.29	15
YD124510LB				0.08	0.96	4000	4.50	1.57	22.06	15