



40×40×28mm

DC Axial-Flow Fan

★ General Specification(一般规格)

☆ Material: Frame And Impeller: Thermal Plastic UL 94V-0

☆ Lead Wires: UL Type

RED Wire Positive(+)

BLACK Wire Negative(-)

☆ Insulation Resistance: 10MΩ Or Over With a DC250V Megger

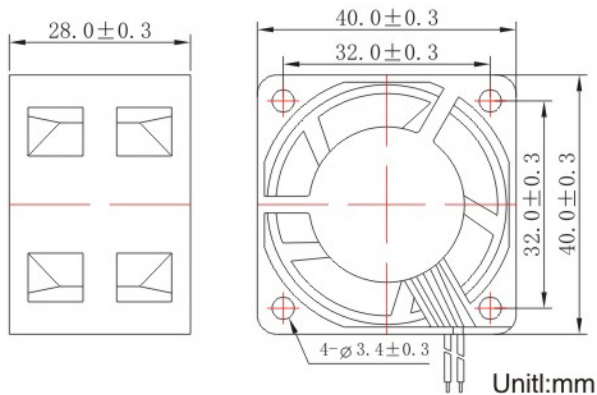
☆ Dielectric Withstand Voltage: AC500V 1S

☆ Allowable Ambient Temperature Range:

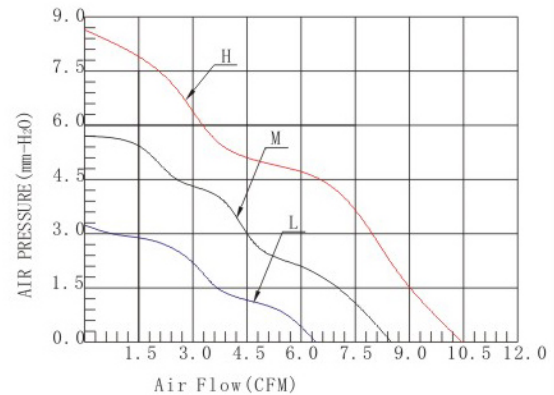
-10°C ~ +70°C(Operation)

-40°C ~ +70°C(Storage)

★ Dimensions Drawing(外观图)



★ Characteristic Curves(特性曲线)



★ Specifications(规格)

| Model (型号) | Bearing System (培林) | Rated Voltage (V) (电压) | Operation Voltage (V) (电压范围) | Current (A) (电流) | Input power (W) (功率) | Speed (RPM) (转速) | Air Flow (CFM) (风量) | Static Pressure (mm-H ₂ O) (静压) | Noise Level (dB-A) (噪音) | Weight (g) (重量) |
|---------------|------------------------|------------------------------|------------------------------------|------------------------|----------------------------|------------------------|---------------------------|--|-------------------------------|-----------------------|
| YD124028HS | Sleeve | 12 | 10.8~13.2 | 0.18 | 2.16 | 8000 | 10.27 | 8.37 | 38.76 | 35 |
| YD124028MS | | | | 0.15 | 1.80 | 6500 | 8.45 | 5.70 | 32.57 | 35 |
| YD124028LS | | | | 0.12 | 1.44 | 5000 | 6.42 | 3.27 | 25.37 | 35 |
| YD124028HB | Ball | | | 0.18 | 2.16 | 8000 | 10.27 | 8.37 | 38.76 | 35 |
| YD124028MB | | | | 0.15 | 1.80 | 6500 | 8.45 | 5.70 | 32.57 | 35 |
| YD124028LB | | | | 0.12 | 1.44 | 5000 | 6.42 | 3.27 | 25.37 | 35 |
| YD244028HS | Sleeve | 24 | 21.6~26.4 | 0.13 | 4.32 | 8000 | 10.27 | 8.37 | 38.76 | 35 |
| YD244028MS | | | | 0.08 | 1.92 | 6500 | 8.45 | 5.70 | 32.57 | 35 |
| YD244028LS | | | | 0.05 | 1.20 | 5000 | 6.42 | 3.27 | 25.37 | 35 |
| YD244028HB | Ball | | | 0.13 | 4.32 | 8000 | 10.27 | 8.37 | 38.76 | 35 |
| YD244028MB | | | | 0.08 | 1.92 | 6500 | 8.45 | 5.70 | 32.57 | 35 |
| YD244028LB | | | | 0.05 | 1.20 | 5000 | 6.42 | 3.27 | 25.37 | 35 |